



# MF Flush Entry Door Lock

- Allows for 100 - 150mm (4" - 6") more door travel than traditional sliding-door lock styles
- Safety lock prevents the door from being locked from the inside.  
To activate: turn key clockwise and remove
- Shipped with striker and two keys
- Locks can be matched to other **SOUTHCO®** deck latches.  
Contact Southco for more information

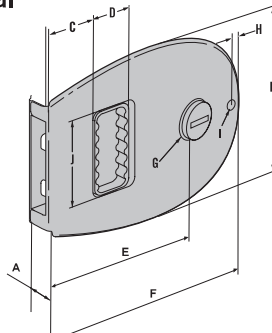
### Material and Finish:

Stainless Steel, Aluminum anodized, Black anodized or White powdercoat.  
Shape: Oval or rectangular design.

### Available Options:

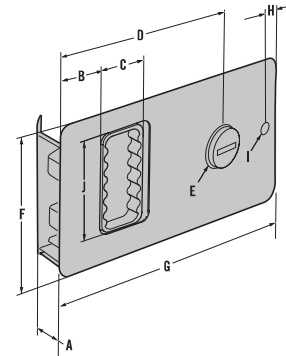
Sealing: Weatherproof and watertight seals.

### Flush Oval



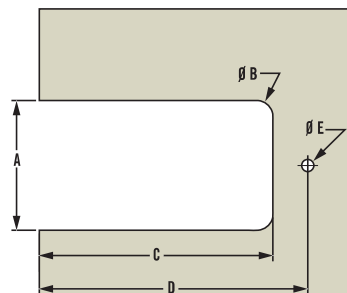
	Imperial		Metric
	Nominal	Decimal	
A	1/2	.50	12.7
B	3 7/8	3.88	98.5
C	49/64	.77	19.5
D	49/64	.77	19.6
E	3 3/4	3.74	95
F	5 53/64	5.83	148
G	53/64	.83	21
H	33/64	.51	13
I	13/64	.2	5
J	1 3/4	1.75	44.5

### Flush



	Imperial		Metric
	Nominal	Decimal	
A	1/2	.50	12.7
B	1 1/8	1.12	28.5
C	25/32	.77	20
D	3 49/64	3.76	95.5
E	53/64	.83	21
F	2 7/8	2.88	73
G	5 9/32	5.28	134
H	21/64	.34	8.5
I	15/64	.24	6
J	1 3/4	1.75	44.5

### Panel Preparation



### Flush Square

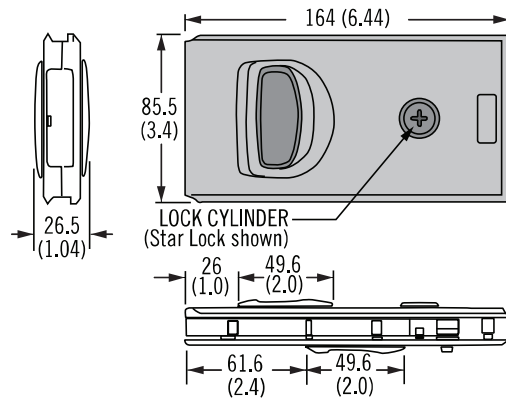
	Imperial		Metric
	Nominal	Decimal	
A	2 1/2	2.5	63.5
B	5/8	.63	16
C	4 1/2	4.5	114
D	4 61/64	4.95	125.7
E	1/4	.25	6.4

### Flush Oval

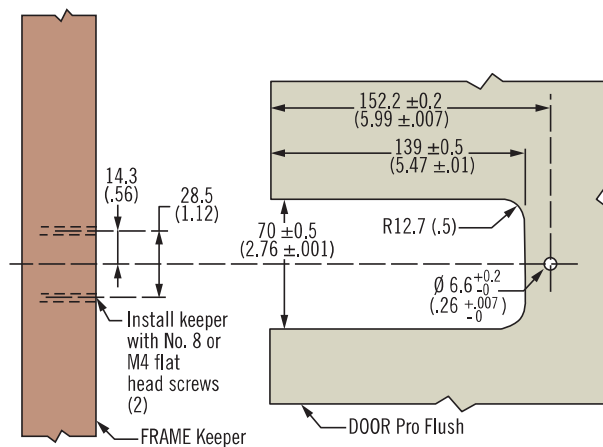
	Imperial		Metric
	Nominal	Decimal	
A	2 1/2	2.5	63.5
B	5/8	.63	16
C	4 1/2	4.5	114
D	5 5/16	5.31	135
E	1/4	.25	6.35

Flush Part Numbers					
Style	Aluminum	Stainless steel	Black	White	Oval
Standard	MF-01-110-60	MF-01-110-24	MF-01-110-50	MF-01-110-70	MF-01-310-24
Weather Proof	MF-02-110-60	MF-02-110-24	MF-02-110-50	MF-02-110-70	MF-02-310-24
Watertight	MF-03-110-60	MF-03-110-24	MF-03-110-50	MF-03-110-70	MF-03-310-24

# MF ProFlush Entry Door Lock



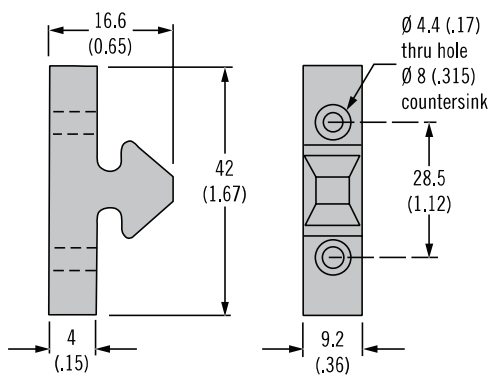
## Panel Preparation



- Marine grade materials to prevent corrosion
- Sealed to help prevent water intrusion
- Available with two types of lock plugs
  - Star lock system, provides high security with a pin tumbler lock plug
  - 3 wafer flat key (MIM) lock, provides security with a stainless steel plug and has a reversible key

## Material and Finish

Escutcheon: Stainless steel, highly polished  
 Handles: Polycarbonate/polyester, black  
 Privacy knob: Nylon, black



Pro Flush Latch*	Part Number
Star Lock	MF-05-530-24
Disc Tumbler Lock	MF-05-550-24

Accessories	Part Number
Spacer	MF-92-500-24
Mounting Tool	MF-90-400-10

\* Two grip friendly overmolded keys and a keeper supplied.

For spare keys please contact Southco